

AC-20 Multi Point Actuator

Pull-to-open paddle handle

Features

- Single or multi-point actuation capability
- Compatible with a wide range of rotary latches
- Environmentally sealed

Material

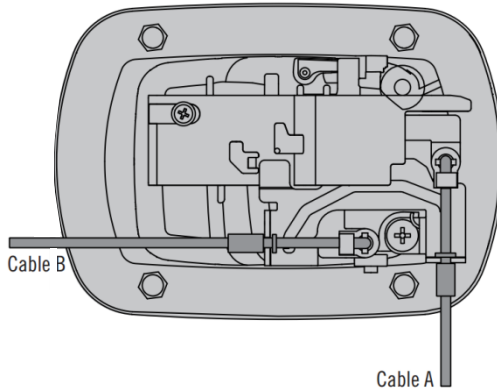
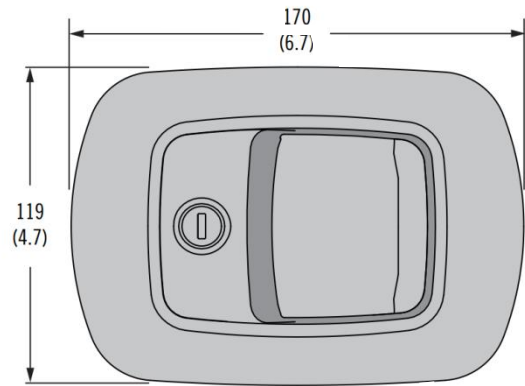
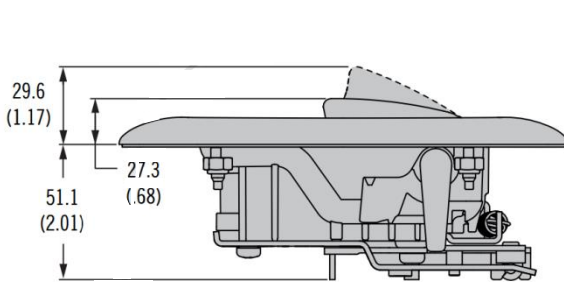
- Housing: Glass-filled nylon, black
- Paddle: Zinc alloy, black powder coated or chrome plated

Installation Notes

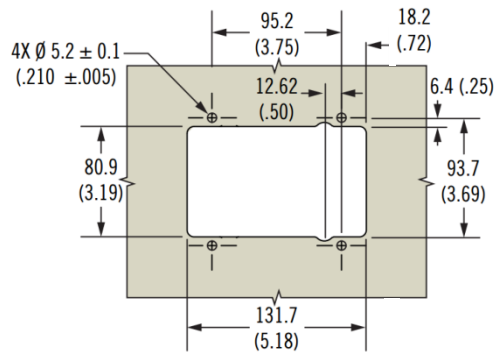
- Maximum tightening torque on supplied mounting nuts: 3 N.m

Installation Notes

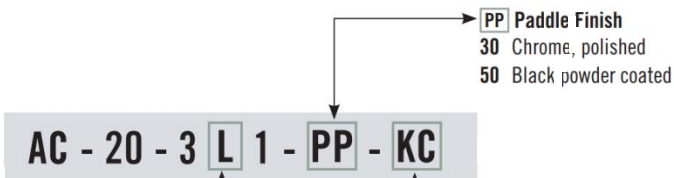
- For lock core selection, contact Gripwell for assistance
- Can be configured with 1 or 2 cables, recommended cable - "Type 7", contact Gripwell for assistance



Panel Preparation



Maximum Door Thickness - 8 (.32)



L Locking Options

- 1 Reversible Key (No Keys - R001)
- 2 Reversible Key (2 Keys included - R001)
- 3 Reversible Key (Keyed differently - 2 keys included)
- 4 Standard Key (No keys - CH751)
- 5 Standard Key (2 Keys included - CH751)
- 6 Standard Key (Keyed differently - 2 keys included)
- 9 No Lock Plug installed (See notes for more information)

KC Key Codes

(Omit for Locking Options 1, 2, 4, 5 and 9)
 ***KD10** Keyed Differently (Only used if **L** =3 or 6)
 ***MK10** Master Keyed Differently (Only used if **L** =6)

*Supplied in multiples of 10 with 10 different key codes.